

Wall-mounted printed circuit boards

Description

A wall-mounted printed circuit board includes all the electrical and mechanical components required to connect one or several push buttons to the Niko Home Control installation. Niko offers horizontal, vertical, single or multiple wall-mounted printed circuit boards. There are also single wall-mounted printed circuit boards available with base. Choose the type of wall-mounted printed circuit board depending on the number of action buttons required and on a horizontal or vertical assembly and on whether a base is required. The wall-mounted printed circuit board can be easily replaced by a larger one at a later stage if the need arises to expand the installation. This is, however, not possible for the wall-mounted printed circuit board(s) with base.

Order numbers

550-14020: double wall-mounted printed circuit board (centre-to-centre distance 71 mm, horizontal)

550-14021: double wall-mounted printed circuit board (centre-to-centre distance 60 mm, vertical)

550-14027: double wall-mounted printed circuit board (centre-to-centre distance 71 mm, vertical)

550-14030: 3-fold wall-mounted printed circuit board (centre-to-centre distance 71 mm, horizontal)

550-14031: 3-fold wall-mounted printed circuit board (centre-to-centre distance 60 mm, vertical)

550-14037: 3-fold wall-mounted printed circuit board (centre-to-centre distance 71 mm, vertical)

550-14040: 4-fold wall-mounted printed circuit board (centre-to-centre distance 71 mm, horizontal)

550-14090: connection unit for multiple wall-mounted printed circuit boards

550-14110: single wall-mounted printed circuit board with connector

550-14106: simple wall-mounted printed circuit board with base (60 x 71 mm, claw fixing) - available in Belgium

550-14107: simple wall-mounted printed circuit board with base (71 x 71 mm, claw fixing) - available in Austria, Poland, Germany and Slovakia

550-14116: simple wall-mounted printed circuit board with base (60 x 71 mm, screw fixing) - available in France

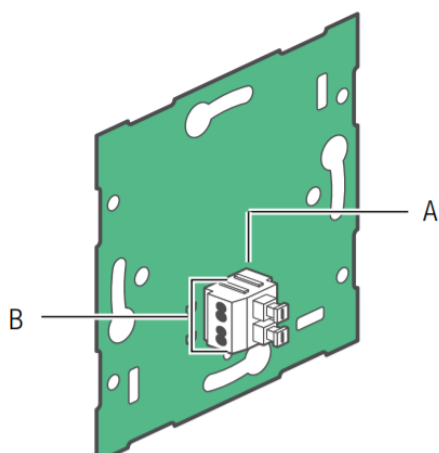
550-14117: simple wall-mounted printed circuit board with base (71 x 71 mm, screw fixing) - available in The Netherlands, Sweden and Denmark

450-00067: set of claws for wall-mounted printed circuit board

450-00068: set of claws for connection unit

Installation

Connecting single wall-mounted printed circuit boards



A. Double plug-in connector

B. Two contacts with two openings each

550-14110

The double plug-in connector is used for connecting the bus cable to the wall-mounted printed circuit board and for establishing a connection to the next control element. It has two contacts with two openings each.

To connect single wall-mounted printed circuit boards, you connect the bus using two wires from the bus cable. Connect each wire separately to one of the contacts. Each contact is marked by the letter B.

The wall-mounted printed circuit board is now connected. Use the other opening of the contact to establish a connection to the next control element if required.

- Strip the wires of the bus cable 9 - 10 mm.
- A maximum of two wires with a diameter of 0.5 - 1 mm each can be connected per contact.

Connecting multiple wall-mounted printed circuit boards

You need one connection unit for each multiple wall-mounted printed circuit board you wish to connect. Connection units are available separately. The connection unit includes a double plug-in connector, which allows you to connect the bus cable and establish a connection to the next control element. The double plug-in connector has two contacts with two openings each.

To connect multiple wall-mounted printed circuit boards:

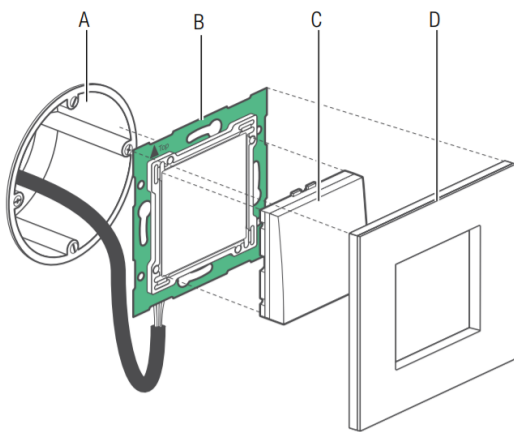
1. Connect two wires of the bus cable to the contacts of the connection unit.

The connection unit is now connected. Use the other opening of the contact to establish a connection to the next control element if required.

- Strip the wires of the bus cable 9 - 10 mm.
- A maximum of two wires with a diameter of 0.5 - 1 mm each can be connected per contact.

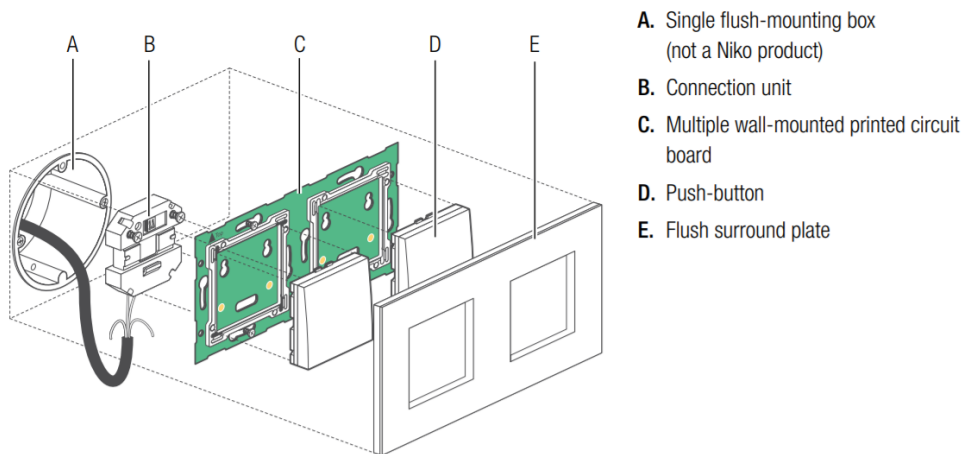
2. Remove the transparent tape from the wall-mounted printed circuit board where the connection unit will be mounted. This connection unit is mounted at the level of the flush-mounting box.
3. Press the connection unit onto the wall-mounted printed circuit board until it clicks into place. Secure the connection unit using two screws.

Mounting instructions



- A. Single flush-mounting box
(not a Niko product)
- B. Single wall-mounted printed circuit board
- C. Push-button
- D. Flush surround plate

Installation diagram for single wall-mounted printed circuit boards



- A. Single flush-mounting box
(not a Niko product)
- B. Connection unit
- C. Multiple wall-mounted printed circuit board
- D. Push-button
- E. Flush surround plate

Installation diagram for multiple wall-mounted printed circuit boards

To mount the wall-mounted printed circuit board, press the unit onto a single flush-mounting box until it clicks into place. Secure using screws.

Use a set of claws if no screw holes are provided in the flush-mounting box. Sets of claws for single and multiple wall-mounted printed circuit boards are available separately.

Secure the sides of larger wall-mounted printed circuit boards onto the wall using the screw holes provided in the wall-mounted printed circuit board.

Use a single wall-mounted printed circuit board with metal base on very uneven walls or in combination with other Niko flush-mounting systems with base. The bases can be clicked together.

Technical data

- wall-mounted printed circuit board material: epoxy
- material thickness: 1 mm
- one double connector with plug-in terminals with a capacity of 0.5 to 1 mm each
- dimensions of the connection unit: 51 x 43 x 22 mm (HxWxD)