

Connected double switch, 2 x 10 A

Description

The connected double switch has a switching contact to switch lighting. It contains a transmitter and receiver that can communicate wirelessly with the wireless smart hub for Niko Home Control.

You can use the connected double switch to replace a conventional switch. It is equipped with an extension terminal so that, in combination with a conventional push button, it can easily replace multiway or intermediate switching.

The connected double switch can switch its own contact.

Once the wireless smart hub for Niko Home Control has been added, it is possible to configure additional functionalities with the Niko Home Control programming software. That way, it is possible to connect these in a mood or all-off function and much more.

It is possible to disconnect the control from its built-in contact. That way, you have complete flexibility to configure the switching contact and the controls separately via the programming software.

Overview



551-721x2

Control

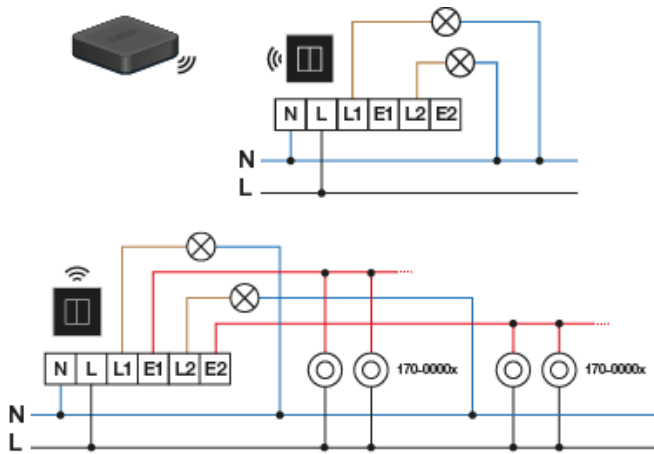


Home Control II

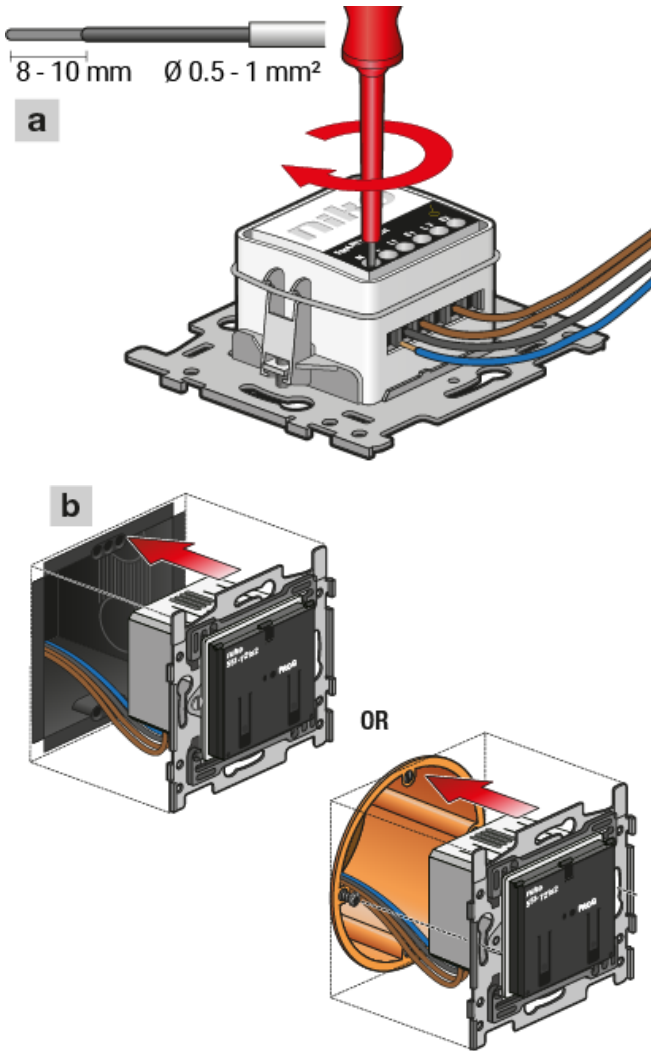


Wiring

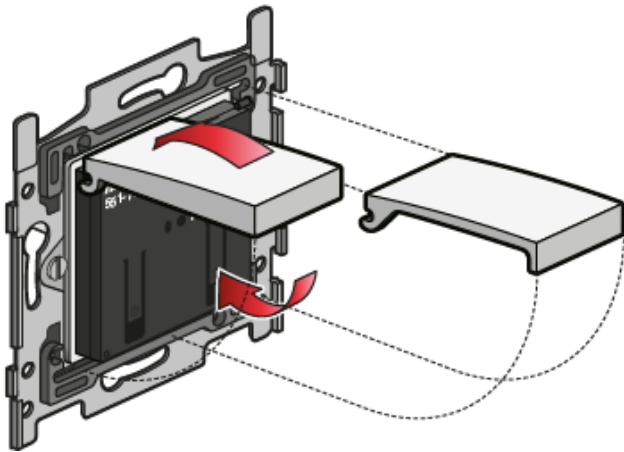
Switch off the mains.



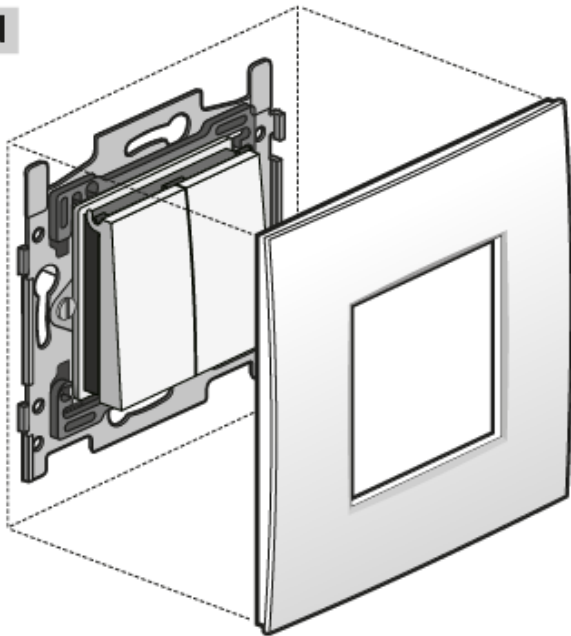
Installation



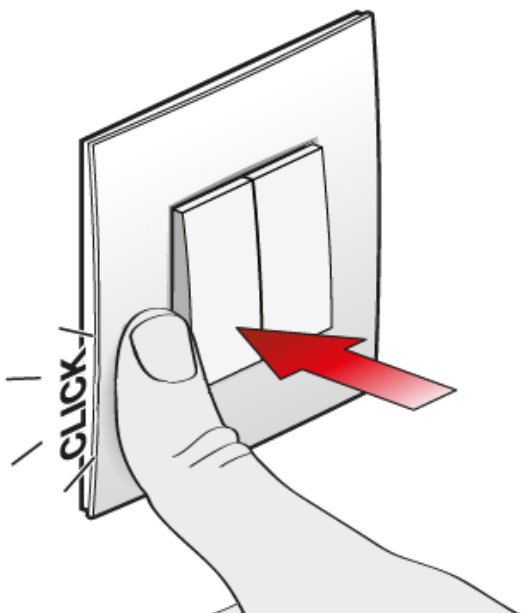
c



d

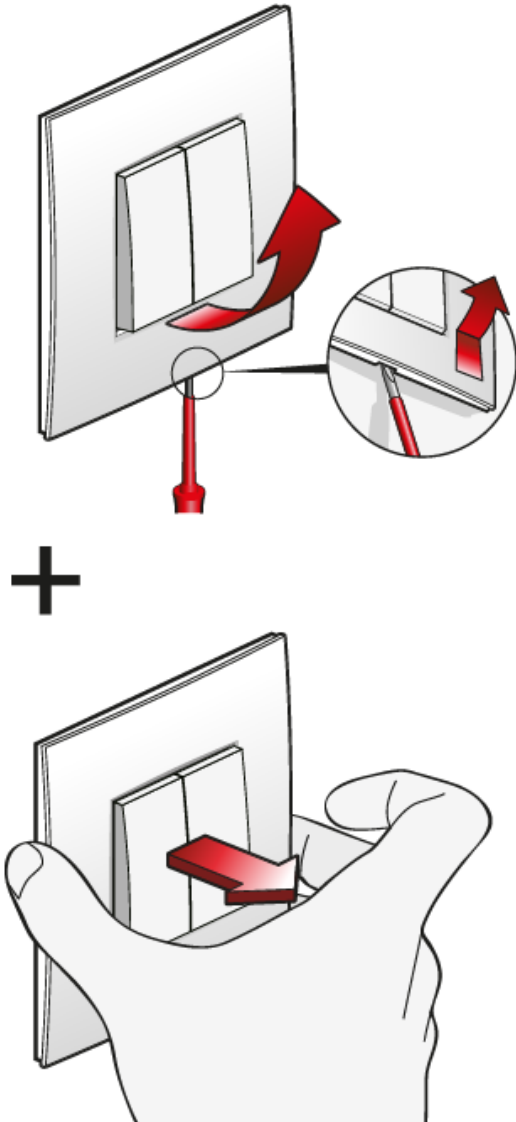


e



Dismantling

Switch off the mains.



Settings

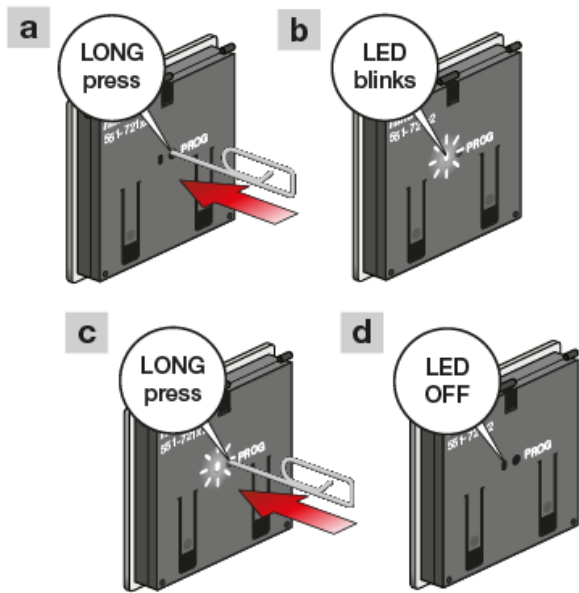
In an installation without wireless smart hub the switch will control the wired lamp. More advanced options become available if you use a wireless smart hub and the Niko Home Control programming software.



Download the Niko Home Control programming software:

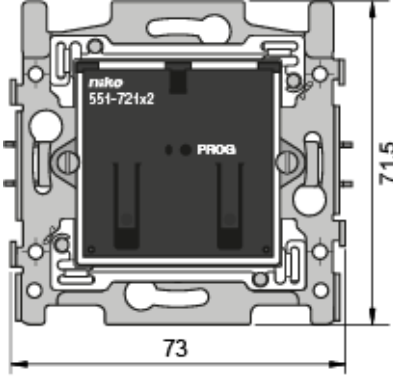
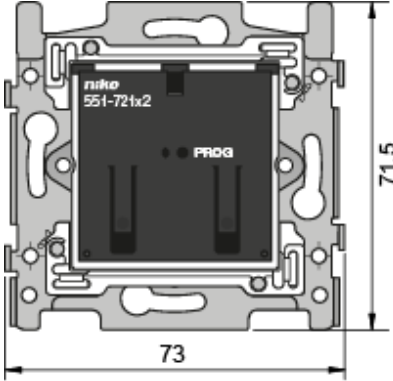
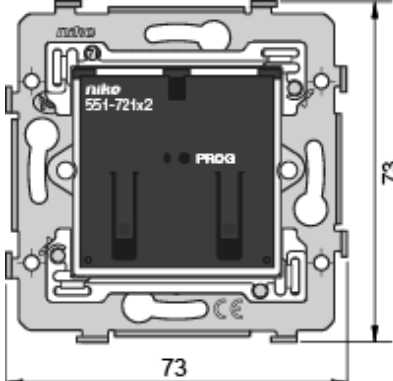
- www.niko.eu/article/550-99102 (Windows)
- www.niko.eu/article/550-99202 (Mac)

Reset



Technical data

Dimensions in mm

		
551-72102	551-72122	551-72112

Specifications

Specification	Value
Article number	551-721x2
Power supply	230 Vac
Protocol	Proprietary
Mounting method	Wall mounting
Mounting height	110 - 120 cm

Weight	70 g
Ambient temperature	0 - 40 °C
Dimensions (HxWxD) - 551-72102, 551-72122	71.5 x 73 x 40 mm
Dimensions (HxWxD) - 551-72112	73 x 73 x 40 mm
Protection degree	IP20
Modification of settings	Niko Home Control programming software (requires wireless smart hub 552-00001)
Maximum range (from switch to wireless smart hub)	30 m
Operating frequency	869.05 MHz
Maximum frequency power	6 dBm
Wire capacity	2 x 2.5 mm ²
Marking	CE